

無線手寫板

使用手冊

USync Inc.

目錄

第一章 產品簡介	1
1-1. 包裝內容	1
1-2. 電腦系統配置	1
1-3. 硬體規格	2
1-4. 服務資訊	3
第二章 硬體說明	4
2-1. 硬體配置	4
2-2. LED狀態	5
2-3. Power saving	5
2-4. Pairing procedure	5
2-5. 收納數位筆以及更換電池、筆尖	6
第三章 軟體操作說明	7
3-1. 手寫板驅動程式安裝	7
3-2. Framework 2.0 安裝	8
3-3. 應用軟體安裝	9
3-4. 硬體安裝	10
第四章 應用程式操作說明	錯誤! 尚未定義書籤。
4-1. 應用程式操作介面	錯誤! 尚未定義書籤。
4-2. 功能說明	錯誤! 尚未定義書籤。

第一章 產品簡介

1-1. 包裝內容

1. 無線手寫板 x1。
2. 無線數位筆 x1。
3. 無線接收器 x1。
4. USB 連接線 x1。
5. 備用筆芯 x3。
6. 筆芯更換器 x1。
7. 三號電池(AA) x 2。
8. 四號電池(AAA) x 1。
9. 安裝光碟 x 1。

以上包裝配件若有遺失不全，請向您的經銷商或本公司聯繫，以確保您的權益。

1-2. 電腦系統配置

1. 主機：Pentium 4 或同等級 CPU，512MB(含)以上 RAM，(必須含一個光碟機)。
2. 電腦主機需內建 USB 介面。
3. 作業系統：Windows XP(SP2)或 Windows Vista
4. 預裝軟體：Microsoft .NET Framework 2.0(安裝光碟內含安裝檔)

1-3. 硬體規格

1. Wireless Tablet

Item	Description
Technology	Electromagnetic
Active Area	6 inch
Resolution	2000 LPI
Position Accuracy	±0.01"
Pressure sensitivity	1024 level
Report Rate	200 RPS
Reading Height	10 mm
Power Supply	Battery 3A * 2 or mini USB 5V
Input Current	< 45mA
Standby and Wake up	Auto
Power consumption	35 mA (max) / 3V 10~35 mA (operation) 66 uA (standby)
Time to standby	5 min
Weight	342g
Dimension(LxWxH)	190 x 194 x 18.5 mm
Transmission	RF 2.4GHZ
Receiver Interface	USB 1.1
Transmission Range	10 m

2. Pen

Item	Description
Model Name	P21
Pressure level	1024
Power Source	Battery 4A * 1
Battery life	4000 hrs (average)
Standby and Wake up	Auto
Power consumption	180 uA (operation) 2.5 uA (standby)
Time to standby	10 min
Weight	23g
Dimension(LxWxH)	137.7x12x16.4 mm

1-4. 服務資訊

Finally, thanks for your purchase of Wireless Slate. If you have any question or advice, please don't hesitate to contact us by email, telephone, or fax. The newest information or technology about Wireless Slate will be posted in our website. <http://www.usync.com.tw>

USync Inc.

Office : 8F, No. 92, Bao-Chung Rd., Hsin-Tien, Taipei, Taiwan

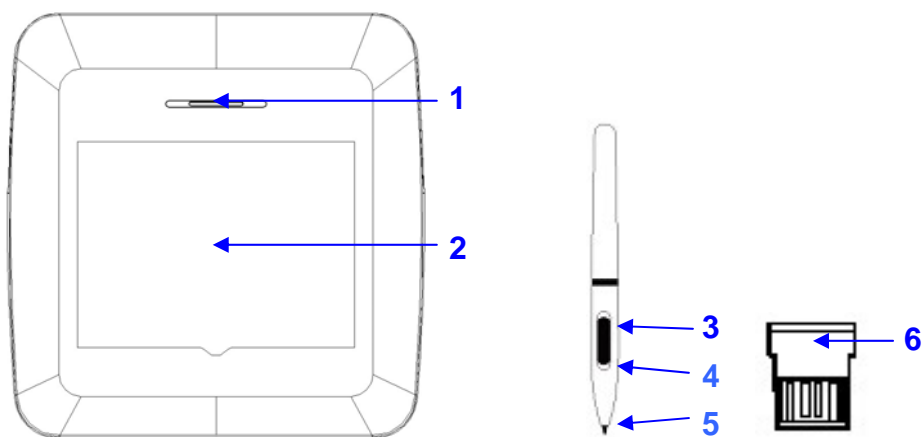
Tel. : 886-2-29174202

Fax : 886-2-29158469

E-Mail : service@usync.com.tw

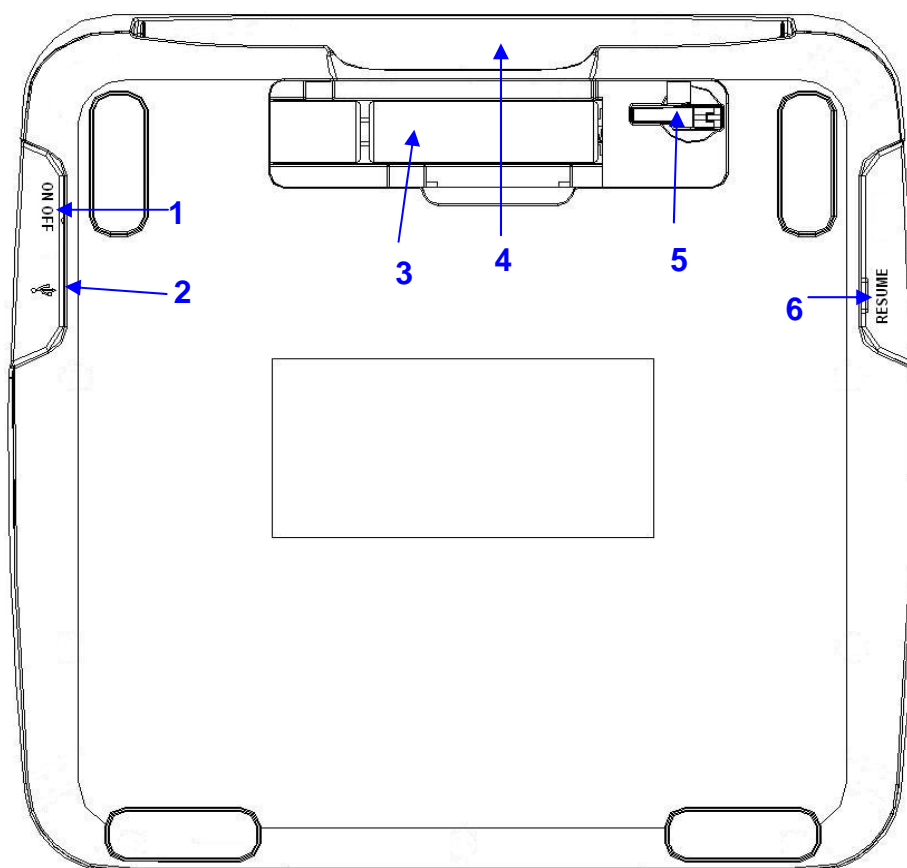
第二章 硬體說明

2-1. 硬體配置



<Fig. 2-1-1>

- 1 — LED 指示燈
- 2 — 工作區域
- 3 — 按鈕 2
- 4 — 按鈕 1
- 5 — 筆尖
- 6 — RF 接收器



<Fig. 2-1-2>

- 1 — 電源開關
- 2 — USB 埠(Only For Power)
- 3 — 電池槽
- 4 — 數位筆槽
- 5 — 接收器槽
- 6 — 回復按鈕

2-2. LED 状態

Working Indicator	
Power Switch On	Green LED is on for 2sec and then off
Pen is detected by the Tablet	Green LED is repeatedly flashing for 0.3~0.7 sec
Low Battery	Red LED is On (When battery is less then 2.2V)

2-3. Power saving

Condition		
Mode	Time	Wake Up Method
Working	When Pen is hovering or moving within the working area of the Tablet	Pen
Suspend 1	When Pen is not within the working area of the Tablet over 5 sec	Pen
Suspend 2	When Pen is not within the working area of the Tablet over 25 sec	Pen
Suspend 3	When Pen is not within the working area of the Tablet over 65 sec	Pen
Suspend 4	When Pen is not within the working area of the Tablet over 300 sec	Resume Button
Power off	Power Switch off	Power Switch

2-4. Pairing procedure

Pairing		
Available Distance	Below 100cm	
Method	Press Resume Button for over 1. 5 sec	
Status	Green and red LED interferred toggle	
Indicator	Paired	Green LED On until Resume Button is Released
	Unpaired	Green and Red LED is repeatedly flashing until Resume Button is Released

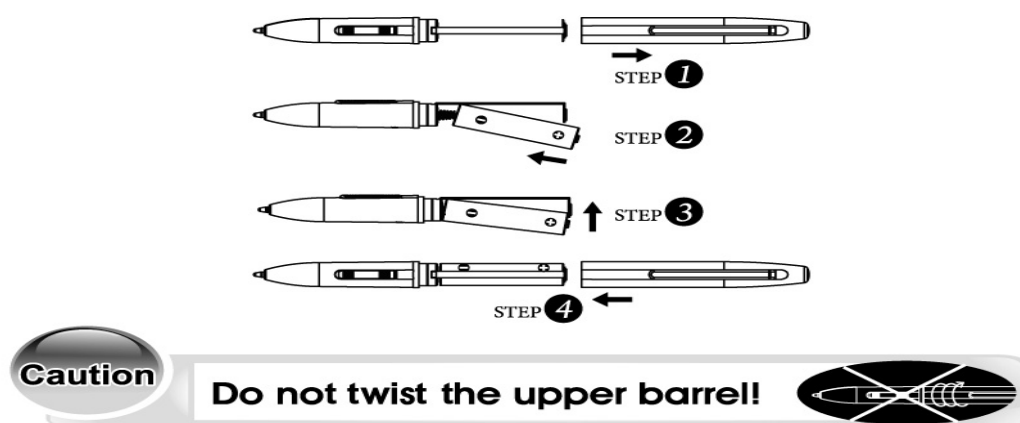
2-5. 收納數位筆以及更換電池、筆尖

Storing the Digital pen properly

To store the Digital pen, make sure that the tip does not touch anything, especially, do not let the pen stand in a cup or penholder with the tip down. Pressure applied to the pen tip will cause a constant drain on the pen's battery, it is recommended to place the pen in a pen holder or store it with the pen tip pointing upward, or place it horizontally with the pen tip free of any other objects.

Changing the pen battery

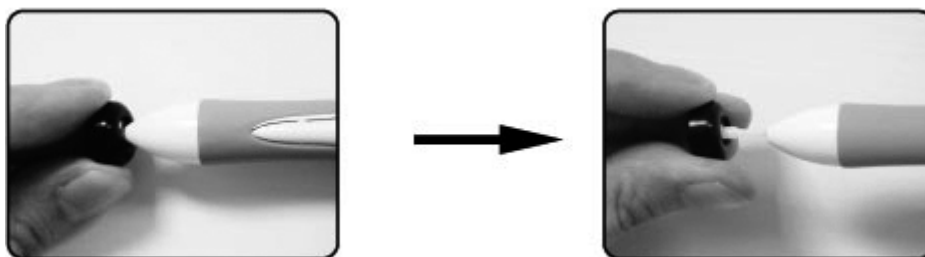
Pull the upper barrel out of the pen and insert the battery.



< Fig. 2-5-1 >

Changing the wireless stylus pen tip

A: Pull out the pen tip from Digital pen by using a Pen Clip



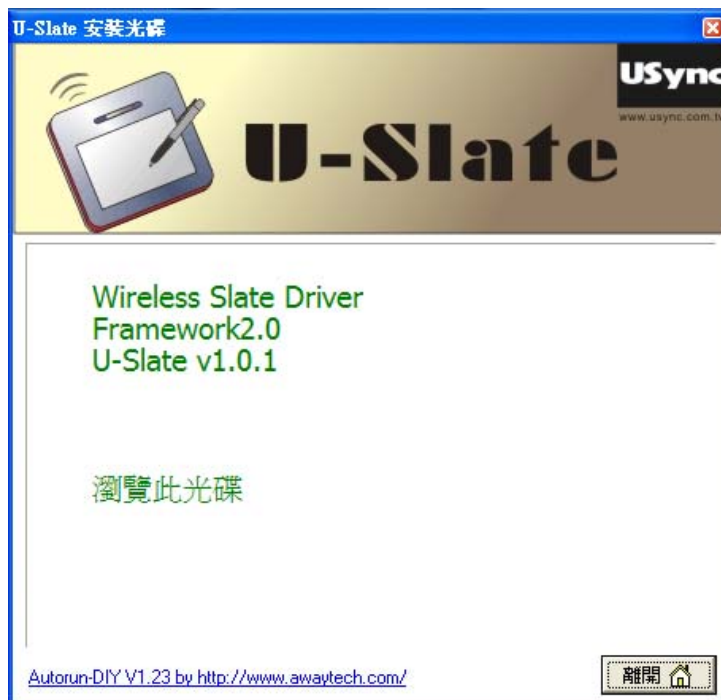
B: Push the pen tip into the Digital pen



< Fig. 2-5-2 >

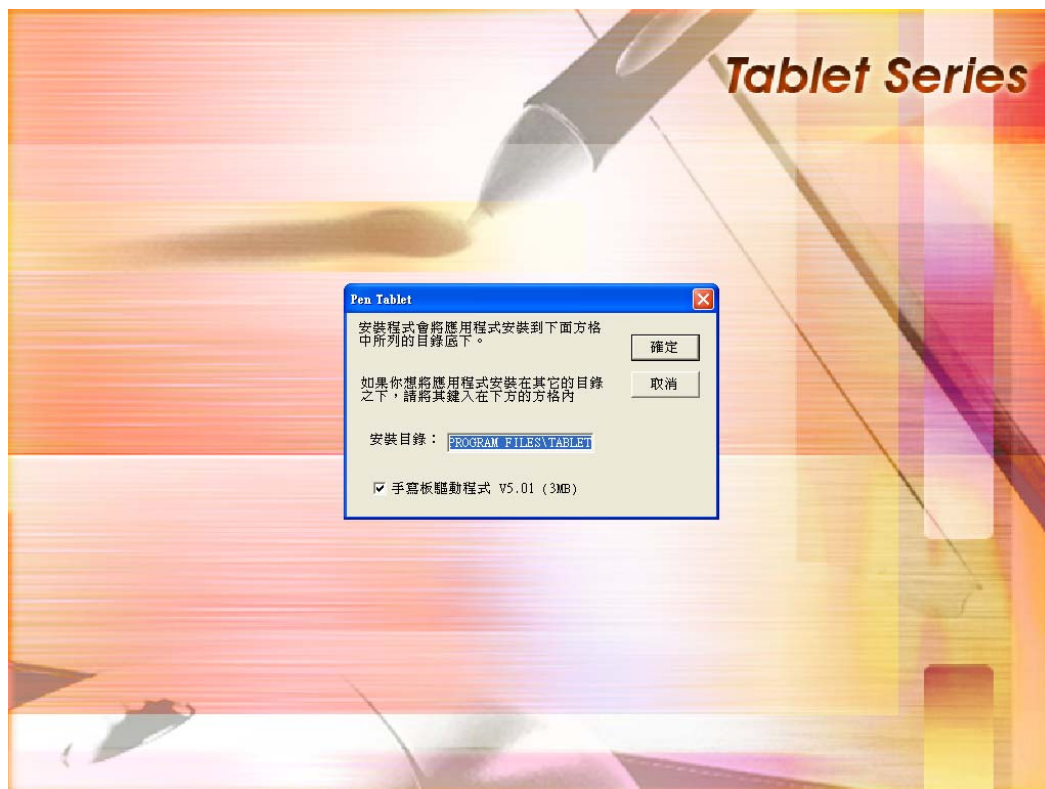
第三章 軟體操作說明

安裝光碟主選單



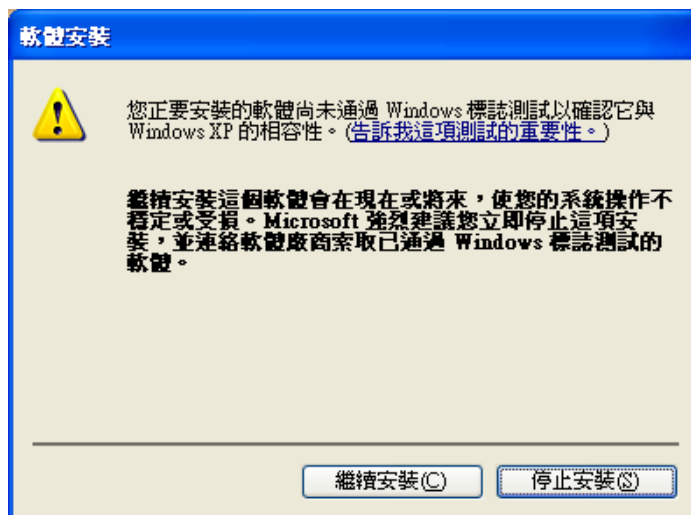
3-1. 手寫板驅動程式安裝

1. 點選光碟安裝畫面上之”Wireless Slate Driver”，並選擇”確定”。



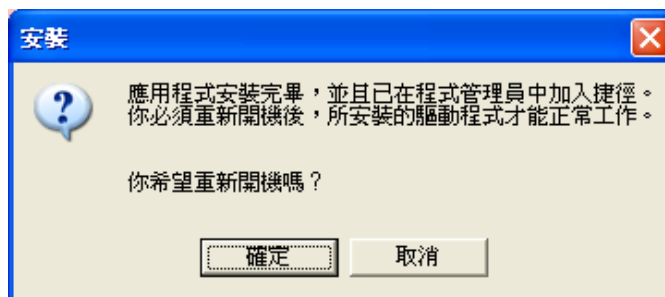
< Fig. 3-1-1 >

2. 如顯示警告訊息，請選擇”繼續安裝”。



<Fig. 3-1-2>

3. 請選擇”確定”，將自動重新開機已完成安裝。



<Fig. 3-1-3>

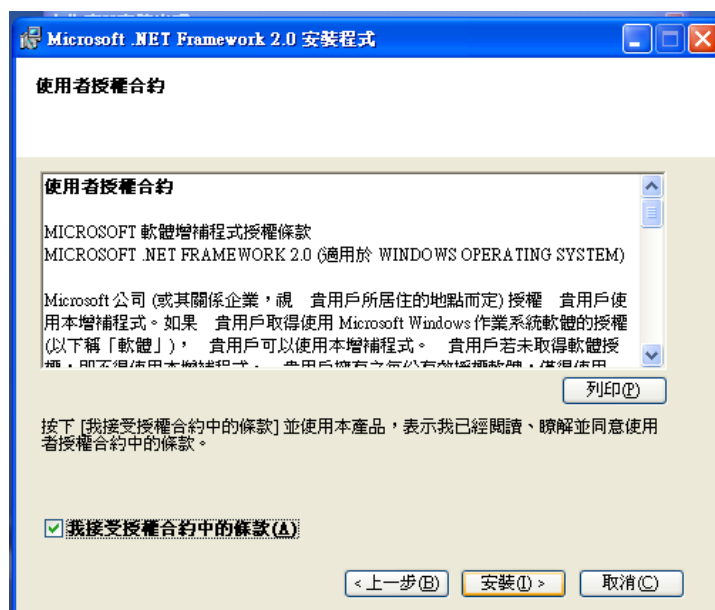
3-2. Framework 2.0 安裝

1. 點選光碟安裝畫面上之”Framework 2.0”，並選擇”下一步”。



<Fig. 3-2-1>

- 點選”我接受授權合約中的條款”，並按下”安裝”。



< Fig. 3-2-2 >

- 依照系統指示安裝完成。

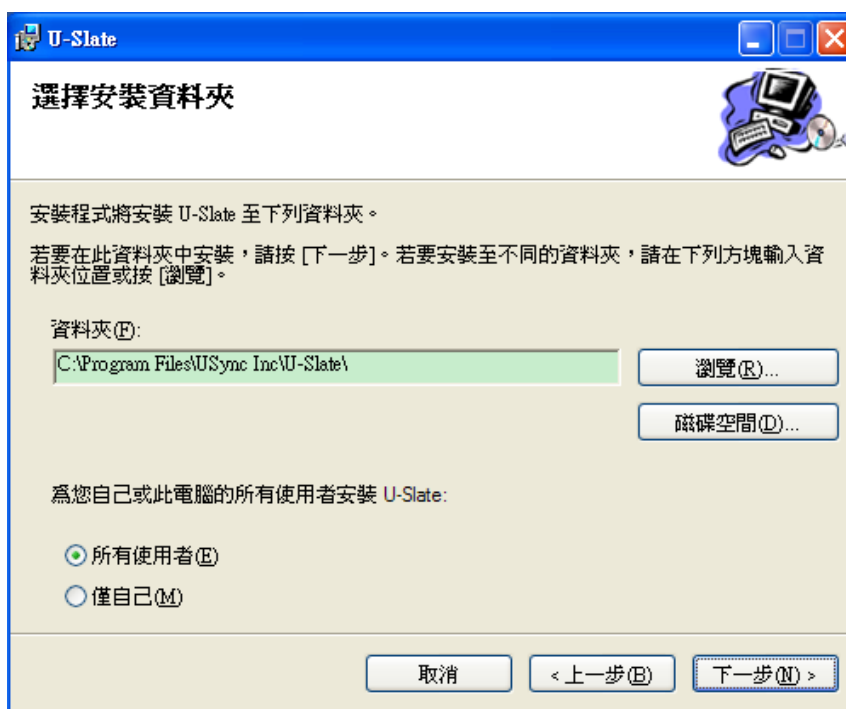
3-3. 應用軟體安裝

- 點選安裝光碟上之”U-Slate v1.0.1”，並點選”下一步”。



< Fig. 3-3-1 >

2. 選擇安裝路徑，並按”下一步”。



< Fig. 3-3-2 >

3. 依照系統指示完成安裝。

3-4. 硬體安裝

1. 依照 3-1. 安裝驅動程式並重新開機後，將 Dongle 插入 USB Port。
2. 系統將於系統列顯示”新增硬體”，並自動安裝驅動程式。



3. 安裝完成後，將於系統列顯示手寫板符號。

